



E Craftsmen
CUSTOM TRANSFORMERS AND INDUCTORS

"SLIM-LINE" AUTOTRANSFORMERS

- Unique form factor...low height, narrow width (similar to a standard ballast)
- Voltages: 347:240V; 347:120V; 480:240V
- Various Power Ratings to 240VA (see table below)
- CSA C-US Certified (class 105°C insulation)
- Easy to use, durable, and efficient
- Standard & custom brackets available

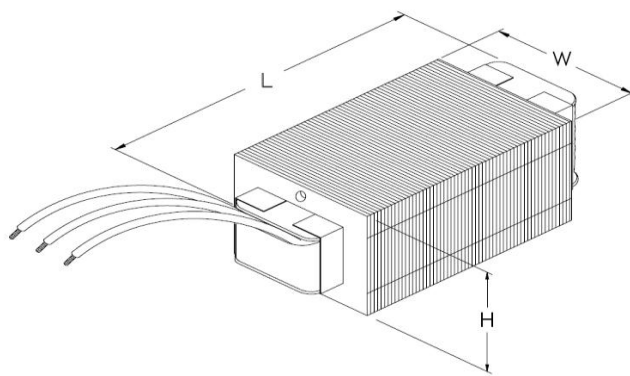


Model 210042M (with brackets), 347:240V, 100 VA

Possible Applications...

- Step-down voltage supply to LED and conventional fixtures, drivers & supplies.
- Industrial, Commercial, Office & Street lighting installations – new and retrofit.

Numerous other transformer design configurations are also available – Ask us!



Model	Input V	Output V no load ±2%	Output V full load ±2%	Power VA	Load Regulation (typ)	Efficiency (typ)	Length (inches)	Width (inches)	Height (inches)	Weight (lbs)
210041	347	240	225	50	6.5%	94%	1.85	1.63	1.31	0.6
210042	347	240	230	100	4.0%	92.6%	3.35	1.63	1.31	1.3
210043	347	240	230	240	4.0%	93%	6.38	1.63	1.31	2.8
210100	347	130	115	25	11.5%	84%	1.85	1.63	1.31	0.6
210097	347	125	115	60	9.0%	86%	3.35	1.63	1.31	1.3
210098	347	125	115	125	7.25%	87.5%	6.38	1.63	1.31	2.8
210099	480	245	225	75	7.5%	93%	3.35	1.63	1.31	1.3
210083	480	240	225	170	6.0%	90%	6.38	1.63	1.31	2.8
210158	120	240	215	35	10%	82%	1.85	1.63	1.31	0.6

▪ 18AWG leads out 6" min. *Add suffix "M" to part number to order with optional Mounting Brackets.



AS 9100
QMI-SAI Global



ISO 9001
QMI-SAI Global



SCHEMATIC



73 Schaefer Street, Waterloo, Ontario, Canada N2L4C4

Tel: 519-884-2210 • Toll Free: 1-800-565-9118 • info@ecraftsmen.com • www.ecraftsmen.com