



SPECIFICATION SHEET : WH6-120-L

This Is An Original Product From Fulham Co., Inc

Description : WorkHorse Series Versatile, Solid State Electronic Ballast. Small Case Size, High Power Factor, Light Weight, Available In 120/230/277V 50/60 Hz.

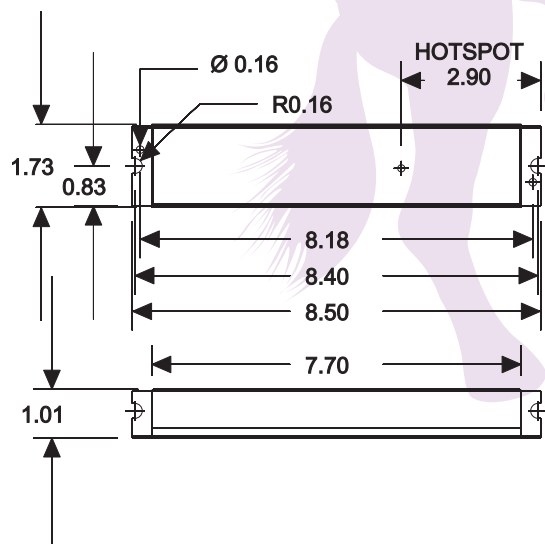
This Ballast Will Operate Following Lamps.

REFER TO LAMP WATTS/TYPE

ELECTRICAL DATA

INPUT VOLT: 120V ± 10%, 50/60Hz								
LAMP WATTS/TYPE	F21T5	F28T5	F21T5	F28T5	F14T5	F14T5	CFT40W	CFQ13W
LAMPS OPERATED	3			4			2	3
INPUT WATTS	63	79	74	95	59	48	85	45
LINE CURRENT:	0.56	0.69	0.66	0.83	0.52	0.43	0.76	0.40
POWER FACTOR	0.94	0.95	0.94	0.95	0.93	0.93	0.94	0.93
BALLAST FACTOR	0.82	0.79	0.75	0.72	0.86	0.91	1.10	1.15
EFFICACY FACTOR	1.31	1.00	1.01	0.76	1.46	1.89	1.30	2.57
THD	34.4%	32.2%	33.5%	30.8%	35.6%	37.1%	33.1%	37.3%
EMI/RFI COMPLIANCE	FCC PART 18-A(non-Consumer)							
SOUND RATING	" A "							
BALLAST TYPE	INSTANT START							
VOLTAGE TRANSIENTS	ANSI 62.41							
INPUT/PROTECTION	FUSE							
MINI. LAMP START	SEE LAMP SPECS							
MIN. BALLAST OPERATING TEMP	-30 °C (-20 ° F)							
MAX. CASE TEMP	70 °C (158 ° F)							
APPROVALS/CLASS	* UL /cUL LISTED, CLASS " P ", 1 OR 2 OUTDOOR							
APPROVALS/CLASS	UL LISTED, CLASS " P ", 1 OR 2 OUTDOOR							

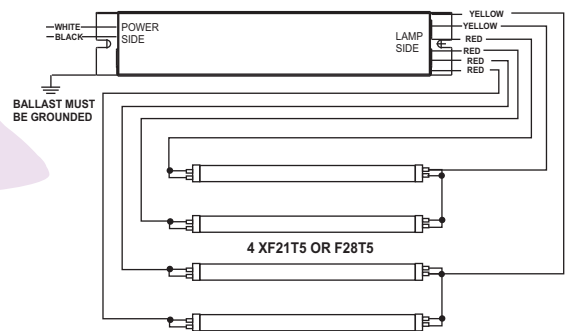
MECHANICAL DATA



Where : L = Length, W = Width, H = Height

WIRING DIAGRAMS

WIRE	BLACK	WHITE	RED	BLUE	YELLOW	BROWN
LENGTH - INCHES	12 ± 1"	12 ± 1"	36 ± 1"	-	36 ± 1"	-



FOR 3 LAMPS OPERATION, CAP ONE RED WIRE

NOTE : This Ballast Must Be Grounded

Fulham Co., Inc extends limited warranty only to the original purchaser or to the first user for the period of 5 years from the date of manufacture as indicated by the date code stamped on each product and when properly installed and under normal conditions of use. For additional warranty guide line, please refer to our Complete Product Catalog OR call Customer Service at 1-323-599-5000.

DUE TO A PROGRAM OF CONTINUOUS IMPROVEMENT, FULHAM Co., INC RESERVES THE RIGHT TO MAKE ANY VARIATION IN DESIGN OR CONSTRUCTION TO THE EQUIPMENT DESCRIBED.

Address : 12705 South Van Ness Ave., Hawthorne, CA 90250 Tel.: 1-323-599-5000, Fax.: 1-323-754-9060. Website: www.fulham.com 2006-22SP-1 rev F



SPECIFICATION SHEET : WH6-120-L

This Is An Original Product From Fulham Co., Inc

Description : WorkHorse Series Versatile, Solid State Electronic Ballast. Small Case Size, High Power Factor, Light Weight, Available In 120/230/277V 50/60 Hz.

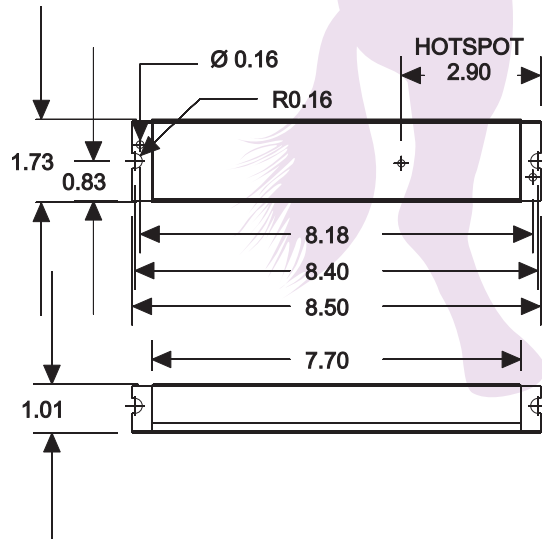
This Ballast Will Operate Following Lamps.

REFER TO LAMP WATTS/TYPE

ELECTRICAL DATA

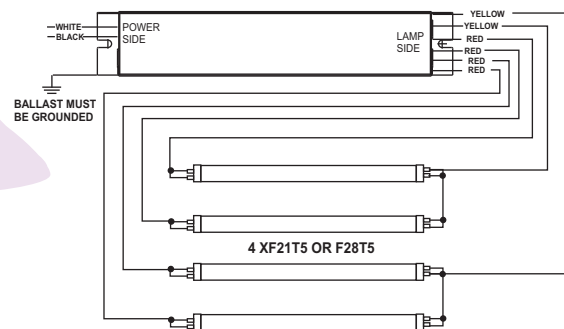
INPUT VOLT: 120V ± 10%, 50/60Hz							
LAMP WATTS/TYPE	* F40T8	* F58T8	F54T5HO				
LAMPS OPERATED	2	1	1				
INPUT WATTS	67	47	61				
LINE CURRENT:	0.59	0.43	0.55				
POWER FACTOR	0.94	0.93	0.93				
BALLAST FACTOR	0.82	0.78	1.07				
EFFICACY FACTOR	1.22	1.64	1.74				
THD	34.8%	37.5%	36.2%				
EMI/RFI COMPLIANCE	FCC PART 18-A(non-Consumer)						
SOUND RATING	" A "						
BALLAST TYPE	INSTANT START						
VOLTAGE TRANSIENTS	ANSI 62.41						
INPUT/PROTECTION	FUSE						
MINI. LAMP START	SEE LAMP SPECS						
MIN. BALLAST OPERATING TEMP	-30 °C (-20 °F)						
MAX. CASE TEMP	70 °C (158 °F)						
APPROVALS/CLASS	* UL /cUL LISTED, CLASS " P ", 1 OR 2 OUTDOOR						
APPROVALS/CLASS	UL LISTED, CLASS " P ", 1 OR 2 OUTDOOR						

MECHANICAL DATA



WIRING DIAGRAMS

WIRE	BLACK	WHITE	RED	BLUE	YELLOW	BROWN
LENGTH - INCHES	12 ± 1"	12 ± 1"	36 ± 1"	-	36 ± 1"	-



FOR 3 LAMPS OPERATION, CAP ONE RED WIRE

NOTE : This Ballast Must Be Grounded

Fulham Co., Inc extends limited warranty only to the original purchaser or to the first user for the period of 5 years from the date of manufacture as indicated by the date code stamped on each product and when properly installed and under normal conditions of use. For additional warranty guide line, please refer to our Complete Product Catalog OR call Customer Service at 1-323-599-5000.

DUE TO A PROGRAM OF CONTINUOUS IMPROVEMENT, FULHAM Co., INC RESERVES THE RIGHT TO MAKE ANY VARIATION IN DESIGN OR CONSTRUCTION TO THE EQUIPMENT DESCRIBED.

Address : 12705 South Van Ness Ave., Hawthorne, CA 90250 Tel.: 1-323-599-5000, Fax.: 1-323-754-9060. Website: www.fulham.com 2006-22SP-2 rev F