



ETLIN-DANIELS

1850 Wilson Avenue, Toronto,
Ontario, Canada, M9M 1A1
Ph: 416-741-7336 Fax: 416-741-9104

**SECTION G
HALOGEN
TRANSFORMERS**

G1

HALOGEN TRANSFORMERS



Halogen Transformers

Plug-In Transformers

G2

Hard Wired Transformers

G3

In-Line Transformers

G4

Etlin-Daniels reserves the right to discontinue, modify designs and change specifications without incurring obligation. While every effort is made to ensure that descriptions, specifications and other information in this catalogue are correct, no warranty is given in respect thereof and the company shall not be liable for any error herein.
Copyright © 2003 Etlin-Daniels

LOW VOLTAGE TRANSFORMERS FOR HALOGEN LIGHTING

G2

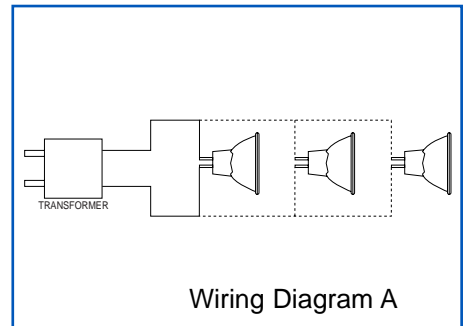
Electronic Transformers for Low Voltage Halogen Lighting

Etlin-Daniels electronic transformers offer unmatched performance and reliability for you halogen lighting requirements.

Features:

- Compact and light weight when compared to conventional magnetic transformers, allowing a whole new element of design flexibility
- Fully dimmable using conventional or electronic dimmers, from zero to full gradient capacity
- All units are enclosed in an epoxy sealed, fire retardant plastic case which can withstand severe environmental conditions and large temperature changes
- They can be used to power a single or multiple lamp application as long as they do not exceed the transformer's rating
- Most models offer a Class 2 safety rating
- Some models have integrated short circuit and overload protection, which will shut down the output and automatically reset when the condition is corrected
- 100% factory tested
- Easily mounted using an optional high temperature doubled sided adhesive tape to any clean surface, or by using special mounting adapter plates.
- Many models to choose from, one will be right for your application
- Models are available for North American and European applications
- What about the halogen lampholders or mini halogen fixtures to go with the transformers? See our catalogue sections for these items.

Plug-In Low Voltage Transformers



MODEL NO.	INPUT VOLTS	OUTPUT VOLTS	MAXIMUM WATTAGE	WIRING DIAGRAM	OUTPUT LEAD LENGTH	DIMENSIONS			APPROVALS	CLASS 2	AUTO RESET	SPECIAL FEATURES
						L	W	H				
WH-501E2	120V	12V	50	A	6.5' (2 m)	2.55" (65 mm)	1.96" (50 mm)	1.73" (44 mm)	UL, CSA	•	--	
WH-601E2	120V	12V	60	A	6.5' (2 m)	2.55" (65 mm)	1.96" (50 mm)	1.73" (44 mm)	UL, CSA	•	--	
WH-601E2C	120V	12V	60	A	6.5' (2 m)	2.55" (65 mm)	1.96" (50 mm)	1.73" (44 mm)	UL, CSA	•	--	With JST Connector
WH-601E2CA	120V	12V	60	A	6.5' (2 m)	2.55" (65 mm)	1.96" (50 mm)	1.73" (44 mm)	UL, CSA	--	•	With JST Connector
WH-601E2CA-2	120V	12V	60	A	6.5' (2 m)	2.55" (65 mm)	1.96" (50 mm)	1.73" (44 mm)	UL, CSA	•	•	With JST Connector
WH-602E2A	230V	12V	60	A	6.5' (2 m)	2.55" (65 mm)	1.96" (50 mm)	1.77" (45 mm)	GS	•	•	
LVT-01S	120V	12V	60	A	6.5' (2 m)	2.73" (69 mm)	1.84" (74 mm)	1.55" (39 mm)	UL, cUL	•	--	

- Standard case colour is Black
- White is also available, please add suffix "W" to the part number
- Power Factor >95%
- Total Harmonic Distortion <20%

LOW VOLTAGE TRANSFORMERS FOR HALOGEN LIGHTING

Hard Wire Low Voltage Transformers

G3



WH-601E5C



WH-1201E6A



WH-601E6A-2



WH-801E5



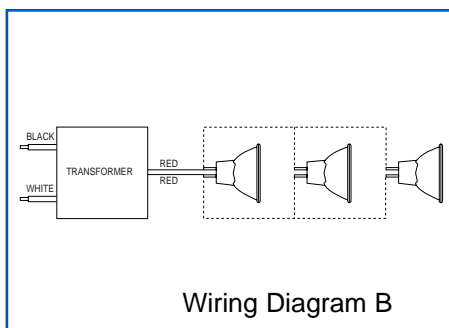
WH-602E6AF



WH-801E6A-3



WH-2101E6A



Wiring Diagram B

- Standard case colour is Black
- White is also available, please add suffix "W" to the part number
- WH-801E6A-3 comes with an Aluminium Casing
- Power Factor >95%
- Total Harmonic Distortion <20%

Transformers

MODEL NO.	INPUT VOLTS	OUTPUT VOLTS	MAXIMUM WATTAGE	WIRING DIAGRAM	OUTPUT LEAD LENGTH	DIMENSIONS			APPROVALS	CLASS 2	AUTO RESET	SPECIAL FEATURES
						L	W	H				
ET60-1-F	120V	12V	60	B	6" RED TEW	2.48" (63.0)	1.48" (38.0)	1.06" (27.0)	UR, cUR	•	--	
ET60-2-F	230V	12V	60	B	6" RED TEW	2.48" (63.0)	1.48" (38.0)	1.06" (27.0)	TUV, EMC, CE	•	--	
ET60-1-EMI	120V	12V	60	B	6" RED TEW	2.48" (63.0)	1.48" (38.0)	1.06" (27.0)	UR, cUR	•	--	Complies with FCC
WH-601E4	120V	12V	60	B	--	3.34" (85.0)	1.89" (48.0)	1.25" (32.0)	UL, CSA	•	--	With Terminal Block
WH-601E5	120V	12V	60	B	6" RED TEW	2.55" (65.0)	1.38" (35.0)	1.02" (26.0)	UL, CSA	•	--	
WH-601E5C	120V	12V	60	B	6" RED TEW	2.55" (65.0)	1.38" (35.0)	1.02" (26.0)	UL, CSA	•	--	With JST Connector
WH-601E6A-2	120V	12V	60	B	6" RED TEW	3.34" (85.0)	1.02" (26.0)	0.67" (22.0)	UL, cUL	•	•	
WH-601E2CA-2	120V	12V	60	B	6" RED TEW	3.34" (85.0)	1.02" (26.0)	0.67" (22.0)	UL, cUL	•	•	With JST Connector
WH-601E6A-3	120V	12V	60	B	6" RED TEW	2.55" (65.0)	1.37" (35.0)	0.79" (20.0)	UL, cUL	•	•	Aluminum Casing
WH-602E6AF	230V	12V	60	B	--	6.73" (171.0)	1.73" (44.0)	0.63" (16.0)	TUV, EMC, CE	--	•	With Terminal Block
LVT-75B	120V	12V	75	B	6" RED TEW	3.18" (81.0)	1.46" (37.0)	0.86" (22.0)	UR, cUR	•	•	
ET80-1-F	120V	12V	80	B	6" RED TEW	2.48" (63.0)	1.48" (38.0)	1.06" (27.0)	UR, cUR	•	--	
ET80-2-F	230V	12V	80	B	6" RED TEW	2.48" (63.0)	1.48" (38.0)	1.06" (27.0)	TUV, EMC, CE	•	--	
ET80-1-EMI	120V	12V	80	B	6" RED TEW	2.48" (63.0)	1.48" (38.0)	1.06" (27.0)	UR, cUR	•	--	Complies with FCC
WH-801E5	120V	12V	80	B	6" RED TEW	2.55" (65.0)	1.38" (35.0)	1.02" (26.0)	UL, CSA	•	--	
WH-801E5C	120V	12V	80	B	6" RED TEW	2.55" (65.0)	1.38" (35.0)	1.02" (26.0)	UL, CSA	•	--	With JST Connector
WH-801E6A-3	120V	12V	80	B	6" RED TEW	2.09" (53.0)	1.30" (33.0)	0.79" (20.0)	UL, cUL	•	•	Aluminum Casing
WH-1201E6A	120V	12V	105	B	6" RED TEW	4.31" (110.0)	1.81" (46.0)	1.25" (32.0)	UL, cUL	•	•	
WH-1052E-AF	230V	12V	105	B	--	6.37" (162.0)	1.77" (45.0)	1.18" (30.0)	TUV, EMC, CE	--	•	With Terminal Block
WH-1601E6A	120V	12V	150	B	6" RED TEW	4.31" (110.0)	1.81" (46.0)	1.25" (32.0)	UL, cUL	•	•	
WH-1502E-AF	230V	12V	150	B	--	6.37" (162.0)	1.77" (45.0)	1.18" (30.0)	TUV, EMC, CE	--	•	With Terminal Block
WH-2101E6A	120V	12V	210	B	6" RED TEW	4.31" (110.0)	1.81" (46.0)	1.25" (32.0)	UL, cUL	•	•	

LOW VOLTAGE TRANSFORMERS FOR HALOGEN LIGHTING

G4

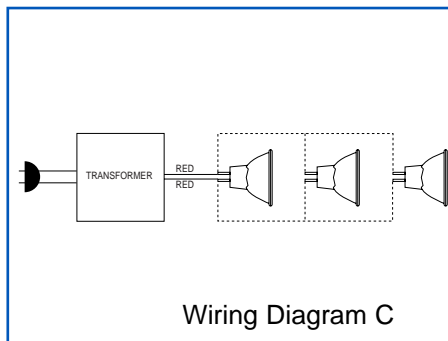
In-Line Low Voltage Transformers With Attached 1-15P Polarized Plug



ET60-1-F-WC



ET60-1-WC-SPC



Wiring Diagram C

MODEL NO.	INPUT VOLTS	OUTPUT VOLTS	MAXIMUM WATTAGE	WIRING DIAGRAM	OUTPUT LEAD LENGTH	DIMENSIONS			APPROVALS	CLASS 2	AUTO RESET	SPECIAL FEATURES
						L	W	H				
ET60-1-F-WC	120V	12V	60	C	6' IN/3' OUT	2.48" (63mm)	1.48" (38 mm)	1.06" (27 mm)	UR, cUR	•	--	With JST Connector
ET60-2-F-WC	230V	12V	60	C	6' IN/3' OUT	2.48" (63mm)	1.48" (38 mm)	1.06" (27 mm)	TUV, EMC, CE	•	--	With JST Connector
ET60-1-WC-EMI	120V	12V	60	C	6' IN/3' OUT	2.48" (63mm)	1.48" (38 mm)	1.06" (27 mm)	UR, cUR	•	--	Complies with FCC
ET60-1-WC-SPC	120V	12V	60	C	6' IN/3' OUT	2.48" (63mm)	1.48" (38 mm)	1.06" (27 mm)	UR, cUR	•	•	
WH-601E6A-2-WC	120V	12V	60	C	6' IN/3' OUT	3.34" (85 mm)	1.96" (50 mm)	1.73" (44 mm)	UL, cUL	•	•	With JST Connector