

## PSM226CQMVRK

Ballast Type: Electronic  
 Input Voltage: 120 thru 277VAC ±10%  
 Input Frequency: 50/60 Hz.

Starting Method: Programmed  
 Lamp Connection: Series  
 Unit Color: White

Unit Weight: 0.92 lb.  
 Carton Quantity: Individual/20/Master  
 Skid Quantity: 1120

### ELECTRICAL SPECIFICATION:

Line Voltage (V)	Lamp Type	Lamp Watts	No. of Lamps	Line Current (A)	Input Power (W)	Power Factor	Max Current THD (%)	Current Crest Factor	Ballast Factor	Wiring Diagram	B.E.F.
120	CFQ26W/G24q	26	1	0.26	32	≥0.98	≤10	≤1.6	1.01	152	3.16
277	CFTR26W/GX24q			0.12							
120	CFQ26W/G24q	26	2	0.48	59	≥0.98	≤10	≤1.5	1.00	153	1.69
277	CFTR26W/GX24q			0.21							
120	CFTR32W/GX24q	32	1	0.32	38	≥0.98	≤10	≤1.5	1.00	152	2.63
277	CFTR32W/GX24q			0.14							
120	CFTR42W/GX24q	42	1	0.42	49	≥0.98	≤10	≤1.5	1.00	152	2.04
277	CFTR42W/GX24q			0.18							
120	FT24W/2G11	24	1	0.25	32	≥0.98	≤10	≤1.6	1.01	152	3.16
277	FT24W/2G11			0.12							
120	FT24W/2G11	24	2	0.45	54	≥0.98	≤10	≤1.5	1.00	153	1.85
277	FT24W/2G11			0.20							
120	FC12T5	40	1	0.37	45	≥0.98	≤10	≤1.6	1.00	152	2.22
277	FC12T5			0.16							
120	FC9T5	22	1	0.23	28	≥0.98	≤10	≤1.6	1.01	152	3.61
277	FC9T5			0.11							
120	FC9T5	22	2	0.46	55	≥0.98	≤10	≤1.5	1.02	153	3.09
277	FC9T5			0.20							
120	CFS28W/GR10q	28	1	0.27	33	≥0.98	≤10	≤1.6	1.00	152	3.03
277	CFS28W/GR10q			0.13							

### PERFORMANCE:

- High efficiency electronic ballast
- Programmed start
- Series operation
- High power factor
- Encased & potted
- Sound rated A
- All-star EOL protection:
- Internal surge protection
- Meets FCC Part 18 (Class A) for EMI and RFI non-consumer limits
- Meets ANSI standard C82.11 and C62.41

### APPLICATION:

- Maximum case temperature: 194°F/90°C
- Maximum ambient temperature: 140°F/60°C
- Minimum starting temperature: -22°F/-30°C†
- Not recommended for extreme temperature variations
- Lamp starts: >50,000 starts
- Remote mounting: 18 ft.
- Compatible with leading manufacturers of Emergency Battery Packs

### SAFETY:

- UL/935 (Class P, Type HL, Type CC, Type 1 outdoor) listed
- CSA/C22.2 certified
- No PCB's

### NOTE:

- Use 18AWG solid copper wire (stripped to 3/8")

### U.S. PATENT NUMBERS:

6,366,032 B1 and 6,420,838 B1

† Please consult lamp manufacturer's data regarding Lumen Output vs. Ambient Temperature.

### WARRANTY:

Robertson Worldwide warrants to the purchaser that this ballast will be free from defects in material or workmanship for a period of 5 years from date of manufacture when properly installed and under normal conditions of use. For more information on Robertson Worldwide's ballasts, call 1-800-323-5633 or visit [www.robertsonww.com](http://www.robertsonww.com). Specifications subject to change without notice

Revised 06/02/09

### ROBERTSON WORLDWIDE

13611 Thornton Rd, Blue Island, IL 60406, TEL: 1-800-323-5633, FAX: 1-877-388-2420, [www.robertsonww.com](http://www.robertsonww.com)

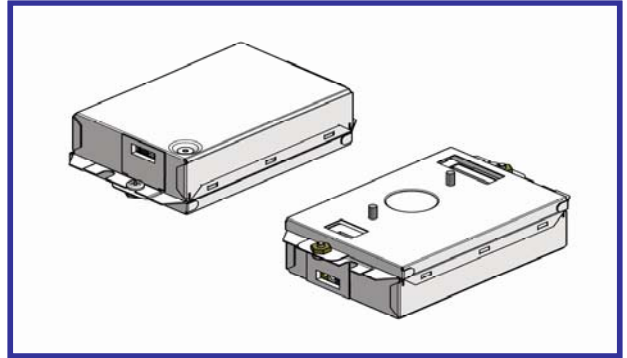
Robertson is pleased to introduce the Robertson Replacer. A convenient, versatile replacement kit designed to support the needs of end-users, distributors, and retro-fitters.

The Robertson Replacer contains the World Series ballast with Patented All Star EOL Protection, guarding against potential hazardous conditions. This useful kit includes everything necessary to replace a variety of mounting options found in many of the compact fluorescent fixtures today.

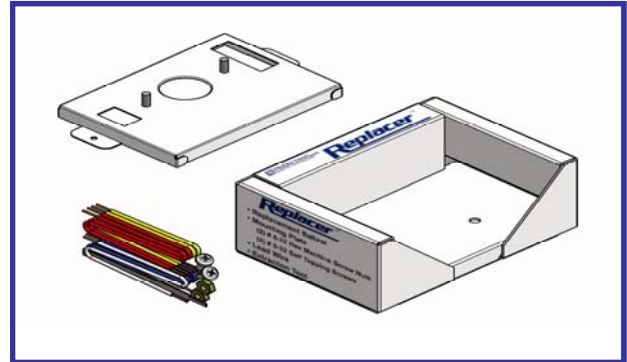
**Kit Includes:**

- World Series Dual Entry Ballast
- Mounting Plate Adapter
- (2) Self Tapping Screws
- (2) 8-32 Machine Nuts
- Lead Wire Set
- Wire Extraction Tool
- Detailed Instructions

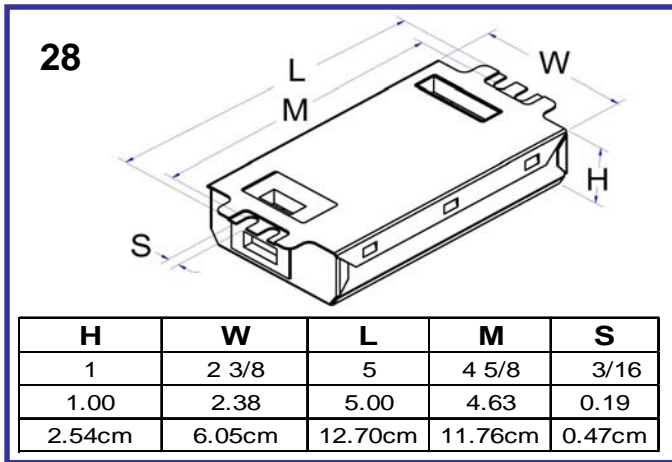
**Versatile Mounting Plate Adapter**



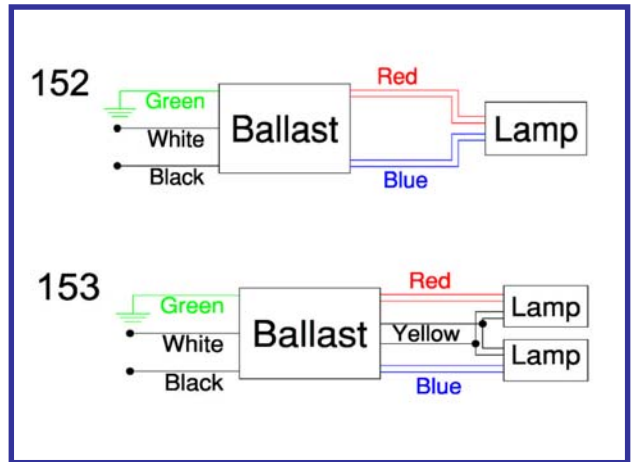
**Replacer Kit**



**STYLE:**



**WIRING DIAGRAM:**



**ROBERTSON REPLACER PSM226CQMVK CROSS REFERENCE**

Multi-E Kit Universal	Advance	Osram	ESI	ACE	Keystone
C2642UNVSE/BE/BES	ICF-S26-H1-LD	QTP 2 x26/UNV	ES-2/1-CFQ-26-UNV-C/D ES-1-CFH-42/32/26-UNV-C/D ES-1-T5C-40/22-UNV-D	CSS-UV42PS	KTEB-226-UV-TP-PIC-DW KTEB-226-UV-TP-PSD
C132SR120BE	ICF-S26-M1-BS	QTP 2 x26/UNV BS			
C132SR277120BE	ICF-S26-H1-LS	QTP 2 x26/UNV TS			
C226SR120BE	REL-1T32	QTP 1/2xCF/UNV			
C226SR277BE	VEL-1T32	QTP 1/2xCF/UNV BM			
	REL-1T42	QTP 1/2xCF/UNV PM			
	VEL-1T42	QTP 1/2xCF/UNV TM			