



MASTER CosmoWhite CPO-TW & CPO-TW Xtra

MASTER CosmoWhite CPO-TW 140W/728 PGZ12 1CT

New-generation ceramic metal halide lamps used in Outdoor offering efficient and pleasant white light

Product data

• General Characteristics

Cap-Base	PGZ12
Bulb	T19 [T 19mm]
Bulb Finish	Clear
Burning Position	any [Any/Universal]
Life to 5% failures, horiz.	13500 hr
Life to 10% failures, base up	11000 hr
Life to 10% failures, horiz.	16000 hr
Life to 20% failures, horiz.	18500 hr
Life to 50% failures, base up	19000 hr
Life to 50% failures, horiz.	24000 hr
LSF EL 2kh Rated,12h cyc. hor	99 %
LSF EL 4kh Rated,12h cyc. hor	99 %
LSF EL 6kh Rated,12h cyc. hor	99 %
LSF EL 8kh Rated,12h cyc. hor	99 %
LSF EL 12kh Rated, 12h cyc. hor	97 %
LSF EL 16kh Rated, 12h cyc. hor	90 %
LSF EL 20kh Rated, 12h cyc. hor	74 %
LSF EL 24kh Rated, 12h cyc. hor	50 %
LSF EL 2kh Rated,12h cyc. bup	99 %
LSF EL 4kh Rated,12h cyc. bup	99 %

LSF EL 6kh Rated,12h cyc. bup	98 %
LSF EL 8kh Rated,12h cyc. bup	96 %
LSF EL 12kh Rated, 12h cyc. bup	86 %
LSF EL 16kh Rated, 12h cyc. bup	68 %
LSF EL 20kh Rated, 12h cyc. bup	43 %

• Light Technical Characteristics

Colour Code	728 [CCT of 2800K]
CRI @ ±60% power	56 -
Colour Designation	White
Colour Temp. @ ±60% power	2880 K
Lum. Flux EL25°C, Rat. base up	16500 Lm
Lum. Flux EL25°C, Rat. horiz.	16500 Lm
Luminous Flux @ ±60% power	7560 Lm
Lum Effic Rat EL 25°C base up	118 Lm/W
Lum Effic Rat EL 25°C horiz.	118 Lm/W
Luminous Efficacy @ ±60% power	90 Lm/W
Color Rendering Index, base up	57 (min), 66 (nom) Ra8
Color Rendering Index, horiz	57 (min), 66 (nom) Ra8
Color Temperature, base up	2800 K



asimpleswitch.com

PHILIPS

sense and simplicity

Color Temperature, horizontal	2800 K
Color Temp. Technical, base up	2860 K
Color Temp. Technical, horiz.	2860 K
LLMF EL 2000h Rated, base up	95 %
LLMF EL 4000h Rated, base up	92 %
LLMF EL 6000h Rated, base up	91 %
LLMF EL 8000h Rated, base up	90 %
LLMF EL 16000h Rated, base up	85 %
LLMF EL 12000h Rated, base up	87 %
LLMF EL 2000h Rated, horiz.	97 %
LLMF EL 4000h Rated, horiz.	97 %
LLMF EL 6000h Rated, horiz.	95 %
LLMF EL 8000h Rated, horiz.	93 %
LLMF EL 12000h Rated, horiz.	88 %
LLMF EL 16000h Rated, horiz.	85 %
LLMF EL 20000h Rated, horiz.	81 %
LLMF EL 24000h Rated, horiz.	78 %
Chromaticity Coordinate X	444 -
Chromaticity Coordinate Y	401 -
Chrom. Coord. X @ ±60% power	449 -
Chrom. Coord. Y @ ±60% power	414 -

• Electrical Characteristics

Lamp Wattage	140 W
Lamp Wattage EL 25°C, Rated	140 W
Lamp Wattage EL 25°C, Nominal	140 W
Lamp Wattage EL at ±60% power	84 W
Lamp Voltage	94 V
Lamp Current EL	1.49 A

Lamp Current EL at ±60% power	931 mA
Ignition Time	30 (max) s
Run-up time 90%	4 (max) min
Dimmable	yes
Re-ignition Time [sec]	900 (max) s
Ratio scotopic/photopic lumens	1.15 -

• Environmental Characteristics

Mercury (Hg) Content	2.83 mg
----------------------	---------

• UV-related Characteristics

Damage Factor D/fc	0.19 -
PET (NIOSH)	8 (min) h500lx

• Luminaire Design Requirements

Cap-Base Temperature	300 (max) C
Bulb Temperature	550 (max) C

• Product Dimensions

Overall Length C	149.8 (max) mm
Diameter D	19 (nom), 20 (max) mm
Light Center Length L	66 mm
Arc Length O	22 mm

• Product Data

Order code	208538 15
Full product code	871150020853815
Full product name	MASTER CosmoWhite CPO-TW 140W/728 PGZ12 1CT
Order product name	MST CosmoWh CPO-TW 140W/728 PGZ12 1CT/12
Pieces per pack	1
Packing configuration	12
Packs per outerbox	12
Bar code on pack - EAN1	8711500208538
Bar code on outerbox - EAN3	8711500208545
Logistic code(s) - 12NC	928088805127
ILCOS code	MT-140/28/2B-H-PGZ12
Net weight per piece	0.040 kg

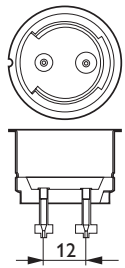
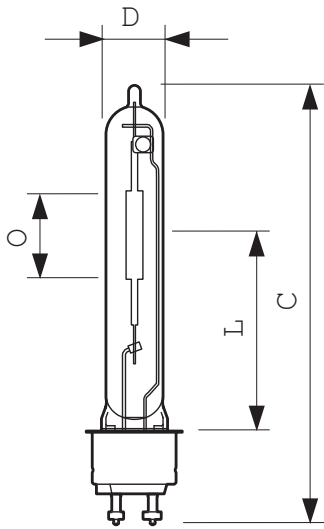
Warnings and Safety

- Use only in totally enclosed luminaire, even during testing (IEC61167, IEC 62035, IEC60598)
- The luminaire must be able to contain hot lamp parts if the lamp ruptures

Dimensional drawing

- Use only with electronic control gear
- Control gear must include end-of-life protection (IEC61167, IEC 62035)

Dimensional drawing

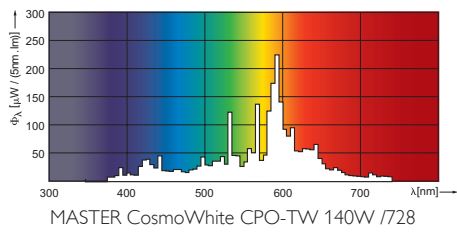


PGZ12

CPO-TW, 90W/140W, PGZ12

Product	C (Max)	D (Norm)	D (Max)	L (Norm)	O (Norm)
CPO-TW 140W/728 PGZ12	149.8	19	20	66	22

Photometric data





© 2012 Koninklijke Philips Electronics N.V.
All rights reserved.

Specifications are subject to change without notice. Trademarks are the property of Koninklijke Philips Electronics N.V. or their respective owners.

www.philips.com/lighting

2012, November 3
data subject to change