

UNIVERSAL® MAX-3 HIGH OUTPUT SIGN BALLASTS

- Superior fill material coats all components and fills all voids to dissipate heat for cooler operation, longer life.
- Supports 1 to 6 lamps, 2 to 48 feet total length
- Low watt-loss steel lamination and all-copper coils assure cooler, more efficient operation and performance.
- Class P thermally protected



MAX-3 BALLASTS

Catalog Number	Total Lamp Footage	Start Temp (°F)	Max. Line Cur.	Max. Input Watts	Open Circuit Volt.	Wiring Diagram	Dimen. Chart Ref.	Weight (lbs.)
MAX-3 HIGH OUTPUT SIGN BALLASTS 800mA RS LAMPS - 120 Volts - 60 Hz								
ONE TO SIX LAMP BALLASTS								
USB-0218-16	2' min. - 18' max.	-20°	2.00	240	625	3, 4, 5, 6, 7, 8	1	15
USB-1232-16	12' min. - 32' max.	-20°	3.50	410	970	3, 4, 5, 6, 7, 8	1	16
USB-1048-16	10' min. - 48' max.	-20°	4.80	570	800	1, 2, 3, 4, 7, 8	2	18

See page 7-3 for Lead Lengths

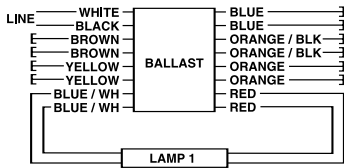


Diagram 1

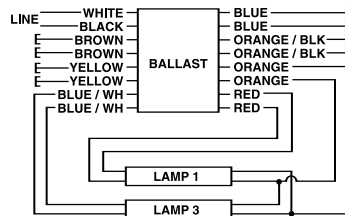


Diagram 2

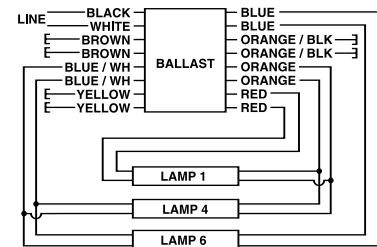
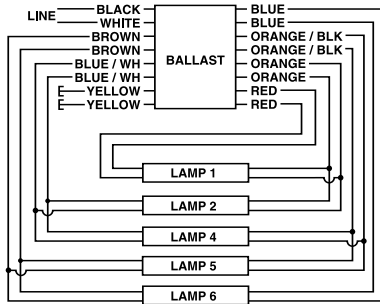


Diagram 3



INDIVIDUALLY CAP THE YELLOW LEADS

Diagram 4

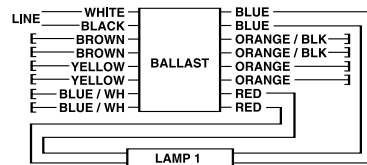


Diagram 5

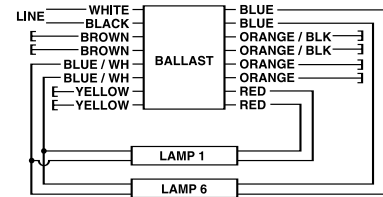


Diagram 6

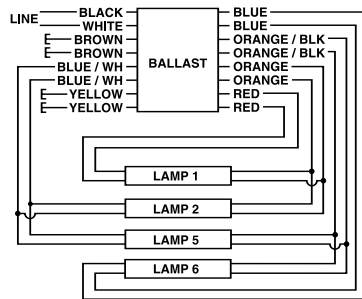


Diagram 7

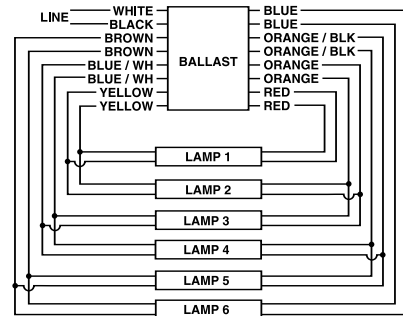
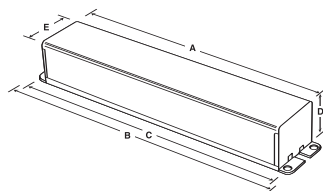


Diagram 8

MAX-3 SERIES HIGH OUTPUT SIGN BALLASTS DIMENSION CHART

Ref. #	A	B	C	D	E
1	13 ³ / ₁₆ "	14 ⁵ / ₁₆ "	13 ³ / ₄ "	2 ⁴³ / ₆₄ "	3 ³ / ₁₆ "
2	15 ⁹ / ₁₆ "	16 ¹¹ / ₁₆ "	16 ¹ / ₈ "	2 ⁴³ / ₆₄ "	3 ³ / ₁₆ "



Diagrams Notes:

- Note 1: When operating a two-lamp ballast on one lamp insulate each yellow lead.
- Note 2: When operating a three-lamp ballast on two lamps insulate each yellow and blue/white lead.
- Note 3: When operating a four-lamp ballast on three lamps insulate each yellow blue/white, and brown lead.