



30-102
30-103

PowerPlug™ Luminaire Disconnect - Models 102 & 103

Installation Instructions:

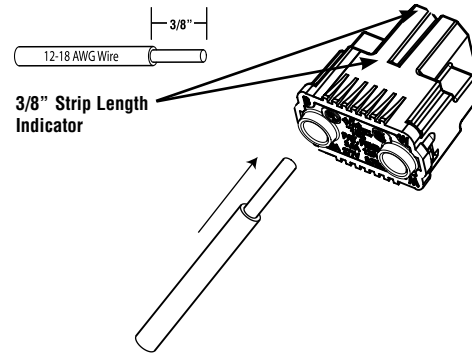
To be sold only with installation instructions.

! WARNING: This is a current rated device. Use in applications involving amperage beyond its rating can be dangerous and cause electrical fires. See table on this page for allowable current at various voltage levels and do not exceed those levels.

Instructions:

Conductor installation:

1. Wiring must comply with all applicable electrical codes.
2. Turn off power before removing or installing disconnect.
3. Strip wires to 3/8 inch (9,5 mm).
4. Grip black ballast wire firmly and push conductor into white cap port marked with black circle.
5. Grip white ballast wire firmly and push conductor into same side of connector in port marked with white circle.
6. Grip black supply wire firmly and push conductor into port opposite black ballast wire.
7. Grip white supply wire firmly and push conductor into remaining port.
8. Repeat for third set of wires on model 103. Third port is marked with dashed black line.
9. Use only one conductor per port and *assure that no copper is exposed on any of the wires inserted.*
10. See disconnect de-mate/mate installation instructions below when replacing ballasts.
11. The wire insertion side of this product is listed for ONE TIME USE ONLY. DO NOT REMOVE AND REPLACE WIRES.



! DANGER

NEVER remove wires from product as contact with electricity can cause serious injury or death. Shut off power at the circuit breaker or remove fuse when installing this product.

! SAFETY NOTICE

Improperly installed electrical wiring can be dangerous and cause electrical fires. This product must be used in accordance with the current rating and wire sizes listed. Consult local building code before doing any electrical work.

COPPER TO COPPER ONLY. Do not use on Aluminum. Temperature rating: 105 C (221F) maximum. Flame Rated UL94V-0.

This disconnect is rated for the following voltage/current combinations:

- 120 Volts 3 Amps
- 277 Volts 1.3 Amps
- 347 Volts 1 Amps
- 480 Volts 0.75 Amps
- 600 Volts 0.60 Amps

This disconnect can be used with other voltages below 480V. The current rating for other voltages can be determined by dividing 360W by the specific voltage.

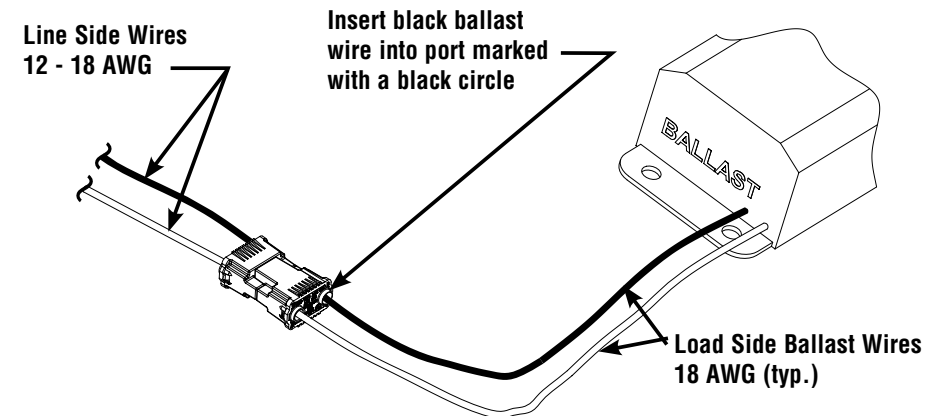
Example: 360W — 120 Volts = 3.0 Amps.

Wire Range:

- Solid: 12-18 AWG
- Stranded: 12-14 AWG (19 Strand or less)
- Stranded Tin Bonded: 14 AWG (19 Strand or less)
16 AWG (26 Strand or less)
18 AWG (16 Strand or less)

Disconnect de-mate / mate installation

1. To de-mate, grasp disconnect at each end and pull apart to separate the disconnect halves. Do NOT pull on wires.
2. To mate the disconnect, grasp each disconnect half, align halves, and push together.
3. Completed connection should appear as shown.



IDEAL INDUSTRIES, INC.

Becker Place
Sycamore, IL 60178, U.S.A.
800-435-0705 Customer Assistance
www.idealindustries.com

ND 6184-5